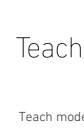
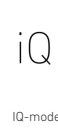


# HF 360-2

DALI-2 APC - concealed  
 EAN 4007841 064266  
 Article number 064266



## Function description

Smart surveillance professional. The HF 360-2 from the new Control PRO 2 range. Modern look and intelligent 360° HF sensor technology – ideal for stairwells and toilet facilities with cubicles. Conveniently adjusted and interconnected via Bluetooth. Interfaces: COM1, COM2, DALI-2 APC, DALI-2 IPD, KNX, IP and BT IPD (Slave). Mounting height up to 4 m. Reach: 12 m.

## Technical specifications

Dimensions (L x W x H)	61 x 103 x 103 mm
With motion detector	Yes
Manufacturer's Warranty	5 years
Settings via	Bluetooth
With remote control	No
Version	DALI-2 APC - concealed
PU1, EAN	4007841064266
Type	Presence detector
Application, place	Indoors
Application, room	function room / ancillary room, kitchenette, stairwell, WC / washroom, Indoors
Colour	white
Colour, RAL	9003
Includes corner wall mount	No
Installation site	ceiling
Installation	Concealed wiring, Ceiling
IP-rating	IP20

Optimum mounting height	2,8 m
HF-system	5,8 GHz
Detection	also through glass, wood and stud walls
Detection angle	360 °
Angle of aperture	140 °
Sneak-by guard	Yes
Capability of masking out individual segments	No
Electronic scalability	Yes
Mechanical scalability	No
Reach, radial	Ø 12 m (113 m <sup>2</sup> )
Reach, tangential	Ø 12 m (113 m <sup>2</sup> )
Transmitter power	< 1 mW
Functions	Semi-/fully automatic, Constant-lighting control, Lighting scenario, Master/slave override, Neighbouring group function, TouchDIM function, Selecting

# HF 360-2

DALI-2 APC - concealed  
 EAN 4007841 064266  
 Article number 064266



## Technical specifications

Ambient temperature	from -25 up to 50 °C
Material	Plastic
Mains power supply	220 – 240 V / 50 – 60 Hz
Power supply, detail	max. 64 users
Number of Dali users	64
Steuerausgang, Dali	Broadcast 64 electronic ballasts / Addressable
Technology, sensors	High frequency, Photo-cell controller
Mounting height	2,50 – 4,00 m
Mounting height max.	4,00 m

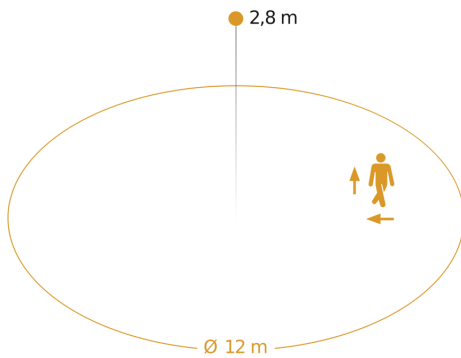
programmed lighting scenarios,  
 Constant-lighting control ON-OFF,  
 Manual ON / ON-OFF, Normal / test  
 mode

Twilight setting	2 – 2000 lx
Time setting	10 s – 60 Min.
Basic light level function	Yes
Basic light level function time	1-60 min, all night
Main light adjustable	50 - 100 %
Twilight setting TEACH	Yes
Constant-lighting control	Yes
Interconnection	Yes
Type of interconnection	Master/slave
Interconnection via	Bluetooth, DALI bus
Product category	Presence detector

# HF 360-2

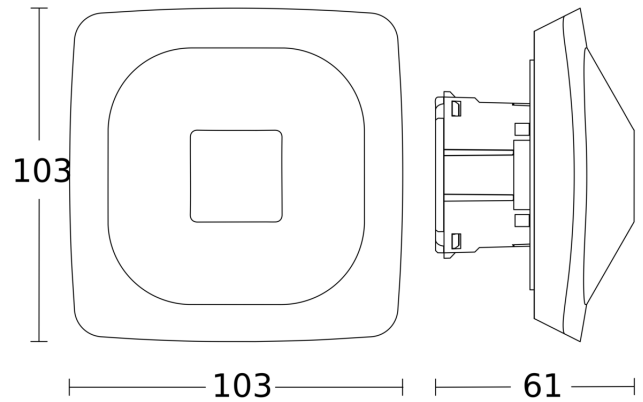
DALI-2 APC - concealed  
 EAN 4007841 064266  
 Article number 064266

## Detection Zone

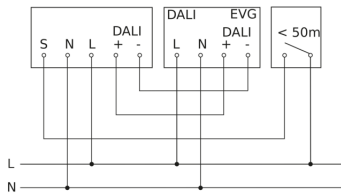


Possible mounting height: 2,50 m - 4,00 m  
 Orange: radial and tangential

## Dimension Drawing



## Master circuit diagram



## Master/slave interconnection circuit diagram

